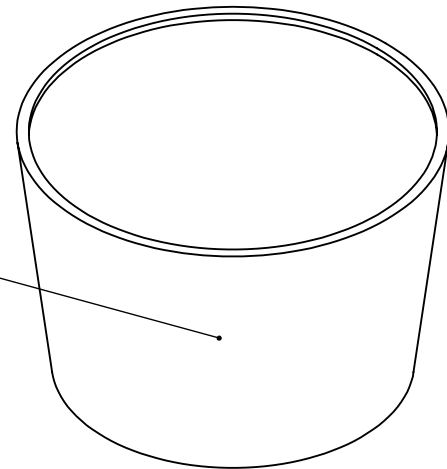


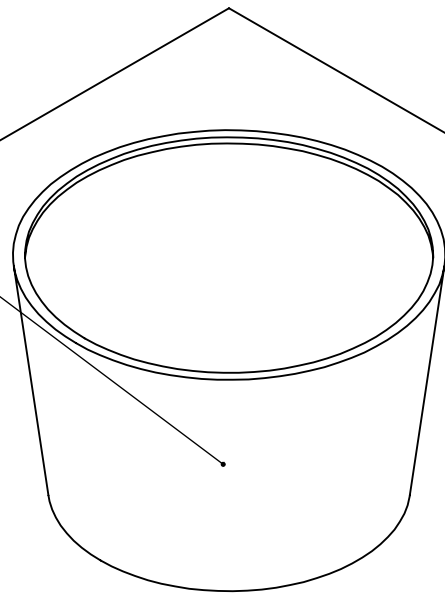
D

**16 oz  
replaceable  
container filled  
with agar**



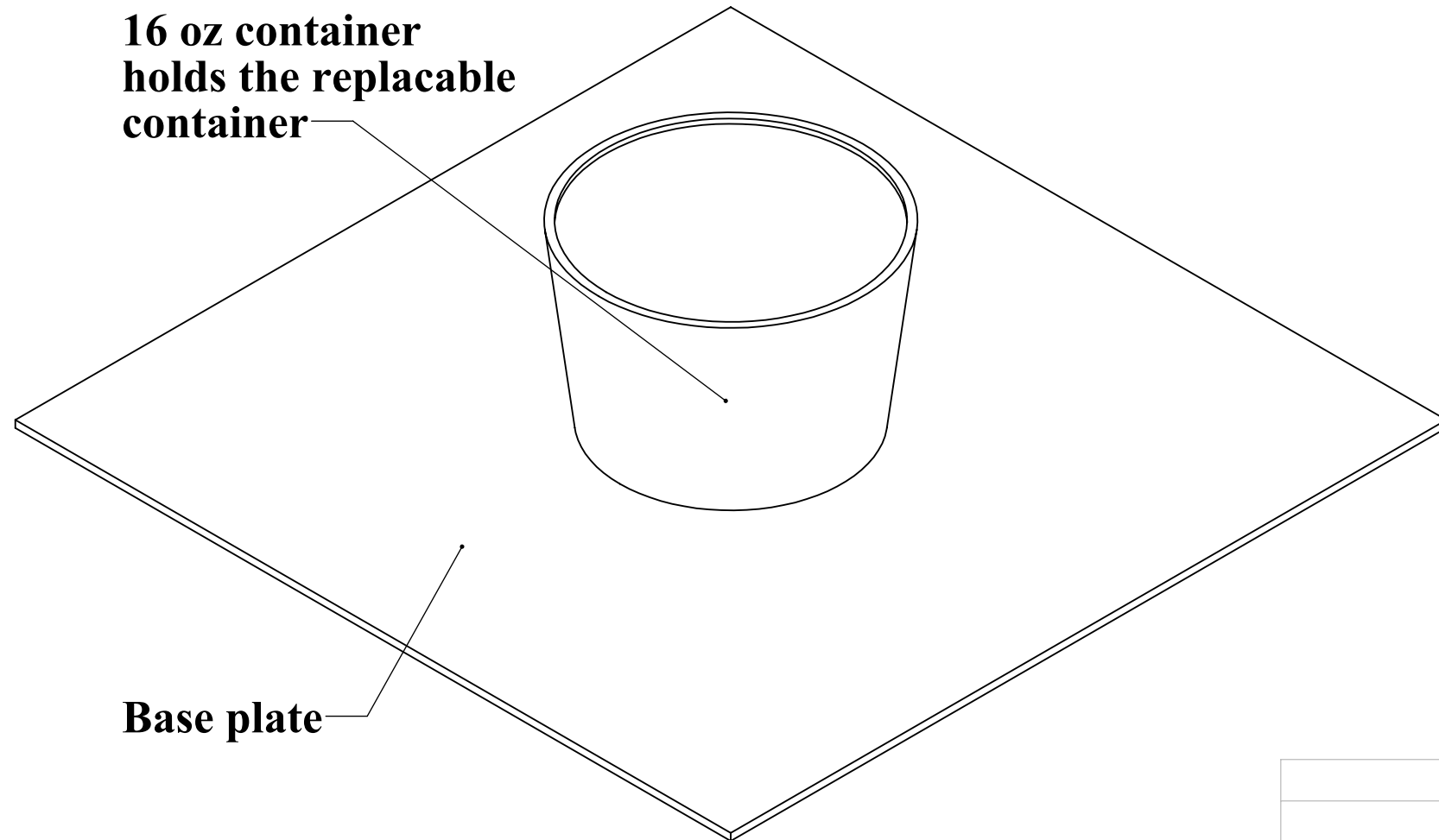
C

**16 oz container  
holds the replacable  
container**



B

**Base plate**



A

**Task #4: Collect a sample of a bacterial mat.**

**Base plate:**

**The base plate is 1/8-inch black ABS sheeting.  
The base plate is 31cm by 31cm.**

**Container:**

**The container holds 16 ounces (550ml).  
The container is 11.6cm in diameter (top of  
container).  
The container is 7cm tall.**

**Agar:**

**2 teaspoons of agar are mixed with 550ml of salt  
water.  
Food coloring is added to give the agar mix color.**

**Collection:**

**RANGER and EXPLORER class teams should  
collect between 101ml and 175ml of agar.**

D

C

B

A

**PROPRIETARY AND CONFIDENTIAL**  
THE INFORMATION CONTAINED IN THIS  
DRAWING IS THE SOLE PROPERTY OF  
THE MATE CENTER. ANY REPRODUCTION  
IN PART OR AS A WHOLE WITHOUT THE  
WRITTEN PERMISSION OF THE MATE  
CENTER IS PROHIBITED.

		UNLESS OTHERWISE SPECIFIED:		NAME	DATE	MATE Center		
		DIMENSIONS ARE IN CM TOLERANCES: FRACTIONAL ± ANGULAR: MACH ± BEND ± TWO PLACE DECIMAL ± THREE PLACE DECIMAL ±		DRAWN				TITLE: <b>Bacterial mat</b>
		INTERPRET GEOMETRIC TOLERANCING PER:		CHECKED		SIZE	DWG. NO.	
		MATERIAL		ENG APPR.		<b>B</b>		
		FINISH		MFG APPR.			SCALE: 1:5	
NEXT ASSY	USED ON	DO NOT SCALE DRAWING		Q.A.				
APPLICATION				COMMENTS:				