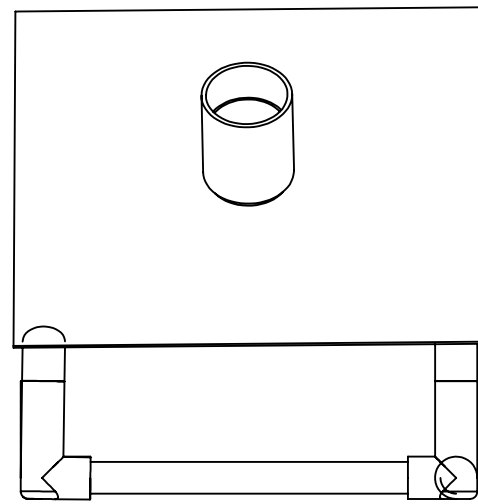
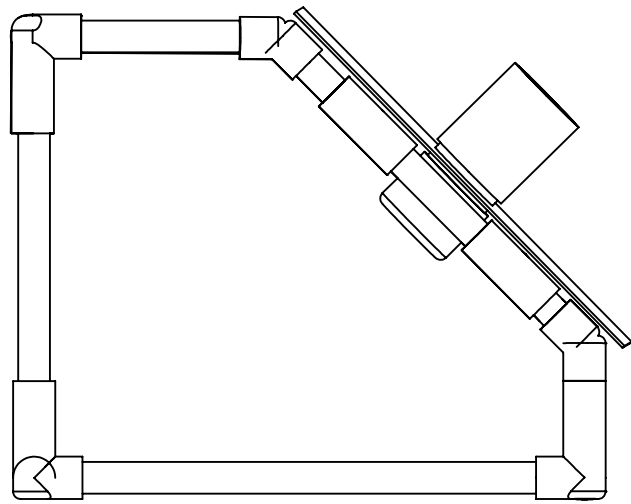


**HUGO side view**

**HUGO front view**



**Task #1: Resurrect HUGO**

**HUGO junction box:**

The HUGO junction box is constructed out of 1/2-inch PVC pipe. HUGO is approximately 40cm long, 30cm wide and 34cm high.

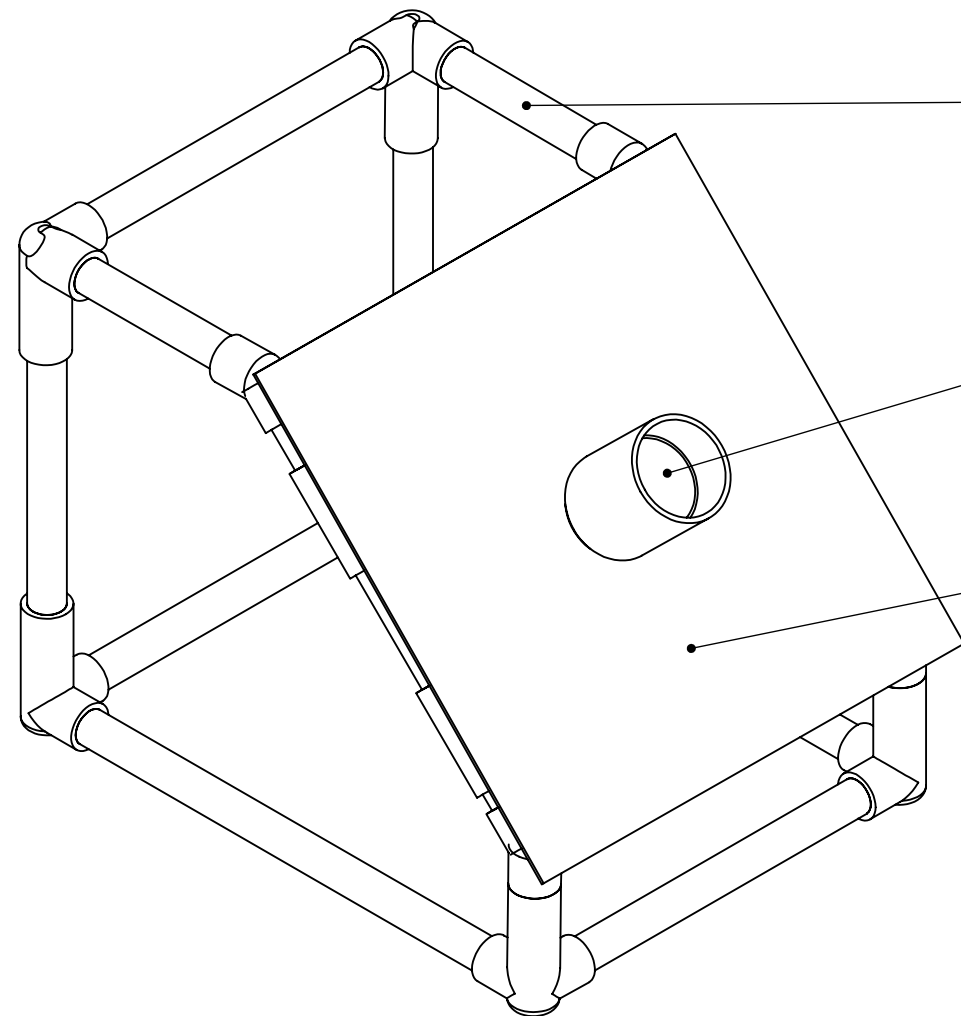
**HUGO working face:**

The HUGO working face is constructed out of 1/8-inch black ABS sheeting. It is 31cm square. A 6cm hole is drilled in the approximate center of the ABS sheet.

**Connection port:**

The connection port is constructed of 2-inch PVC, a 2-inch connector, and a 2-inch end cap. The port opening is 6cm in diameter and 12cm deep. The connection port fits into the central hole of the working face of HUGO.

**HUGO isometric view**



**HUGO framework**

**2-inch PVC connection port**

**HUGO working face**

**PROPRIETARY AND CONFIDENTIAL**  
 THE INFORMATION CONTAINED IN THIS DRAWING IS THE SOLE PROPERTY OF THE MATE CENTER. ANY REPRODUCTION IN PART OR AS A WHOLE WITHOUT THE WRITTEN PERMISSION OF THE MATE CENTER IS PROHIBITED.

		UNLESS OTHERWISE SPECIFIED:		NAME	DATE	<b>MATE Center</b>			
		DIMENSIONS ARE IN CM TOLERANCES: FRACTIONAL ± ANGULAR: MACH ± BEND ± TWO PLACE DECIMAL ± THREE PLACE DECIMAL ±		DRAWN				TITLE: <b>HUGO</b>	
		INTERPRET GEOMETRIC TOLERANCING PER:		CHECKED		SIZE	DWG. NO.		
		MATERIAL		ENG APPR.		<b>B</b>			
NEXT ASSY		USED ON		MFG APPR.		SCALE: 1:5		WEIGHT:	SHEET 1 OF 1
APPLICATION		DO NOT SCALE DRAWING		Q.A.					
				COMMENTS:					