

Sea Dragons

Port Townsend STEM Club — Port Townsend, WA

About the Team



Sea Dragons Team left to right

Back Row: Logan, Ella, Nathaniel

Front Rows: Everest, Ayden

80 miles to the MATE International ROV Competition!

Ayden Ratliff: 5th grade, O.C.E.A.N. School, 2nd year in MATE Competition: Hydraulics and Manipulator Engineer

Ella Ashford: 11th grade, I.D.E.A. School, 3rd year in MATE Competition: CEO, Pilot, Electrical and Software Engineer.

Everest Ashford: 6th grade, I.D.E.A. School, 3rd year in MATE Competition: Tether Manager and Safety Captain

Logan Flanagan: 11th grade, Port Townsend High School, 1st year of MATE Competition: ROV Tool Engineer and Mathematician

Nathaniel Ashford: 8th grade, I.D.E.A. School, 3rd year of MATE Competition: CFO, Pilot and Mechanical Engineer

ROV Specs

Cost: \$2,250 ROV value including the value of donated or discounted components.

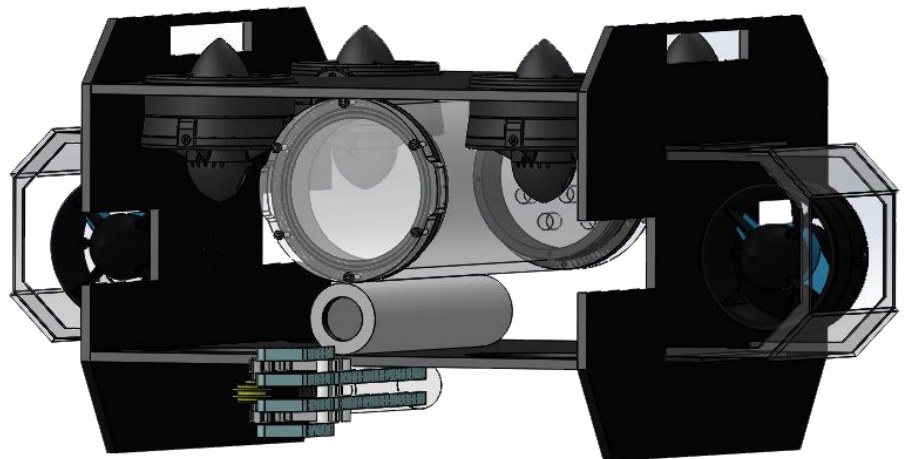
Dimensions: 26.7cm by 54cm by 45.5cm **Weight:** 10 kg **Student Hours:** 800 hours

Special Features:

- Custom LEGO manipulator powered by manual hydraulics
- Six T-100 thrusters for balanced and controlled thrust
- Joystick controllers programmed with onboard Arduino software

Safety Features:

- Shrouded T-100 thrusters
- Handholds on ROV for safety
- Insulated tether for protection



S.S. Dragon — The Sea Dragons' ROV