



Edison Submersibles



Purdue University IEEE ROV Team West Lafayette, Indiana, USA



Craig Cainkar
PR & Advertising
Professional Writing
Senior
Communications
1st Year Competing

Jack McCormack
Mechanical Engineering
Senior
Mechanical Team Co-lead
3rd year competing

Amanda Burgoon Skelton
Biochemistry
Senior
Mechanical Team Co-lead
1st Year Competing

Nick Molo
Computer Engineering
Senior
Electrical Team Lead
2nd Year Competing

Houston Fortney
Electrical Engineering
Junior
Electrical Team
2nd Year Competing



Chandras Reddy
Computer Engineering
Sophomore
Electrical
1st Year Competing

Kevin Rockwell
Computer Engineering
Junior
Electrical Team
1st Year Competing

Reid Fouch
Electrical Engineering
Technology Education
Senior
Electrical Team
2nd Year Competing

Flor Albornoz
Electrical Engineering
Sophomore
Electrical
1st Year Competing

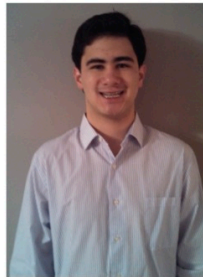
Dharna Pahuja
Computer Engineering
Junior
Electrical
1st Year Competing

Distance Traveled: 2915 KM

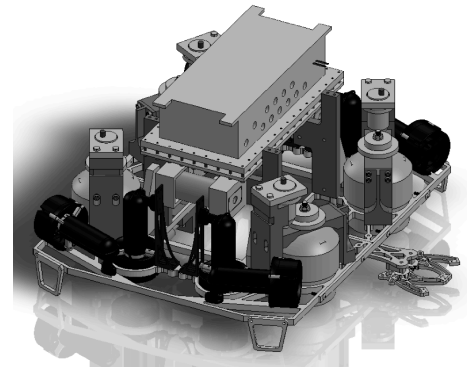
Year Competing: 5th Year

2012 Finish: 2nd Place

Range of Grade Levels:
Sophomore to Senior



Michael Hayashi
Electrical Engineering
Junior
Team Captain
2nd Year Competing



Total Cost of ROV: \$20,758.90 USD

Overall Dimensions: 71 cm x 69 cm x 51 cm

Primary Materials: aluminum, stainless steel, polyoxymethylene (delrin), high-density polyethylene, polycarbonate

Total Weight in Air: 19.0 kg

Special Features: immense power to weight ratio, lightweight MIC 6 aluminum frame, high-accuracy length measuring tool, single fixed manipulator for simplicity, entirely custom onboard electronics system and software

Key Safety Features: shrouds on all propellers, plastic propellers, complete FEA analysis with a safety factor of 2, all electrical wiring sealed with liquid electrical tape and heat shrink, multiple fuses throughout electrical system, emergency quick release pneumatic valve

Model N